

2x2/4x4 USB 2.0 Data Switch

Quick Installation Guide

Introduction

The 2x2/4x4 USB 2.0 Data Switch allows users to share 2/4 USB devices between 2/4 different computers. It is USB 2.0 compliant, supports data transfer rate up to 480Mbps and backwards compatible with USB 2.0 and USB1.1; avoiding the cost of purchasing duplicate peripherals or the hassle of swapping cables from one system to the others. Functions simple port selection via push button whether one of the two or some of the 4 hosts be disconnected. The working memory (last channel setting) won't be terminated no matter the unit shutdown and restarted. (Default setting is switched to PC1 after powered on the unit; and then it will change to the last channel setting after restarting the unit.)

The switch can also be connected to a USB hub, to expand the number of devices you can share between the 2/4 connected systems, or to a USB drive enclosure or docking station, for a shared external storage solution.

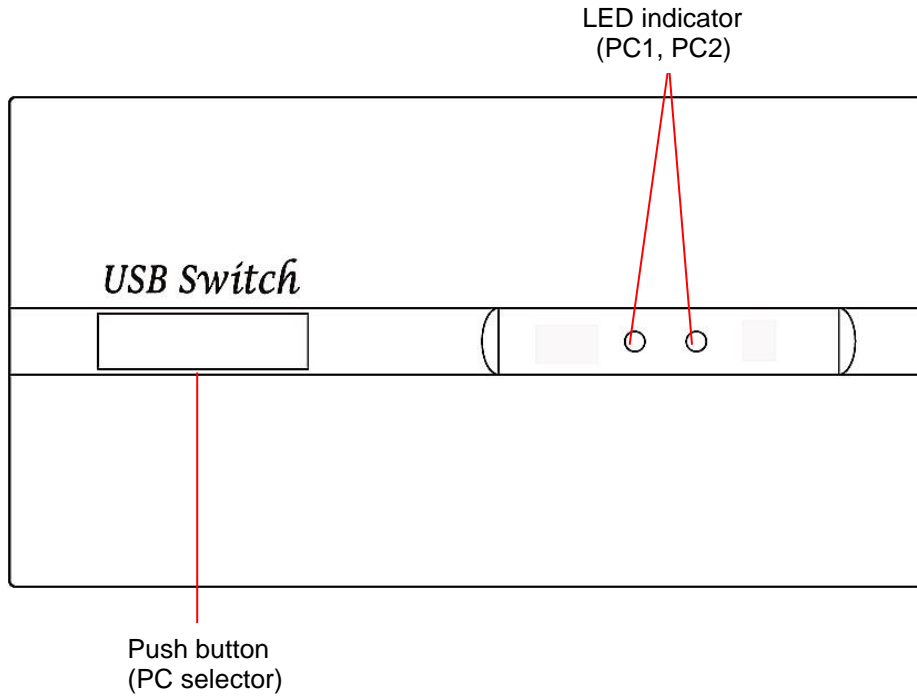
Features

- USB 2.0 data transfer rates up to 480 Mbps
- Fully Compliant with USB specification 1.1, 2.0
- Enables 2/4 computers to share 2/4 USB 2.0 devices; Functions simple port selection via push button whether one of the two or some of the 4 hosts be disconnected
- Supports memory function, the working memory won't be terminated no matter the unit shutdown and restarted
- Easily wall mounting design (two hook holes and magnet attached)
- Compatible OS: Windows 98SE / ME / 2000 / XP / Vista / 7 / 8 / 8.1 / 10 / 11; Mac OS 8.6 or higher
- Plug-and-Play, no software or drivers required

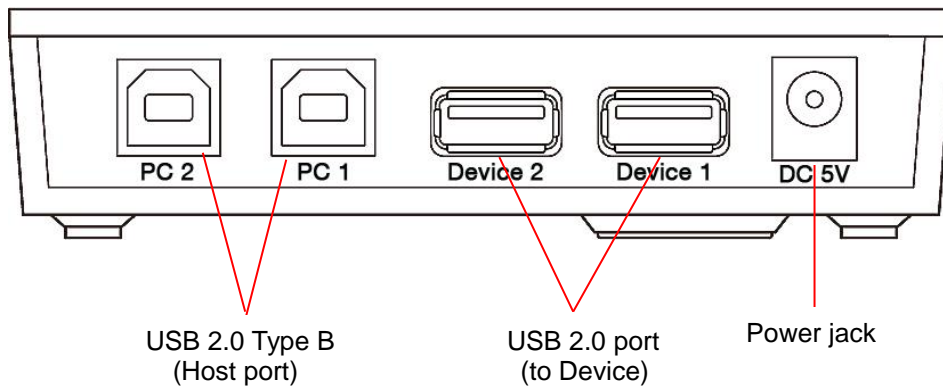
Specification

Model No.		USB-DS22H	USB-DS44H
Data Transfer Rate		1.5M / 12M / 480M	1.5M / 12M / 480M
LED		2	4
PC Selector		Push button	Push button
USB Specification		USB 1.1 / 2.0 compliant	USB 1.1 / 2.0 compliant
Connector	Upstream	USB 2.0 B Female x 2	USB 2.0 B Female x 4
	Downstream	USB 2.0 A Female x 2	USB 2.0 A Female x 4
Power Supply		5VDC 1A	5VDC 2A
Extension Cable Length	Input	Max. 2m	Max. 2m
	Output	Max. 2m	Max. 2m
Environmental	Operating Temperature	0–40°C	0–40°C
	Storage Temperature	-20–60°C	-20–60°C
	Humidity	0–80% RH, Non-condensing	0–80% RH, Non-condensing
Housing		Plastic	Plastic
Dimension (L x W x H)		106 x 56 x 25 mm	106 x 56 x 25 mm

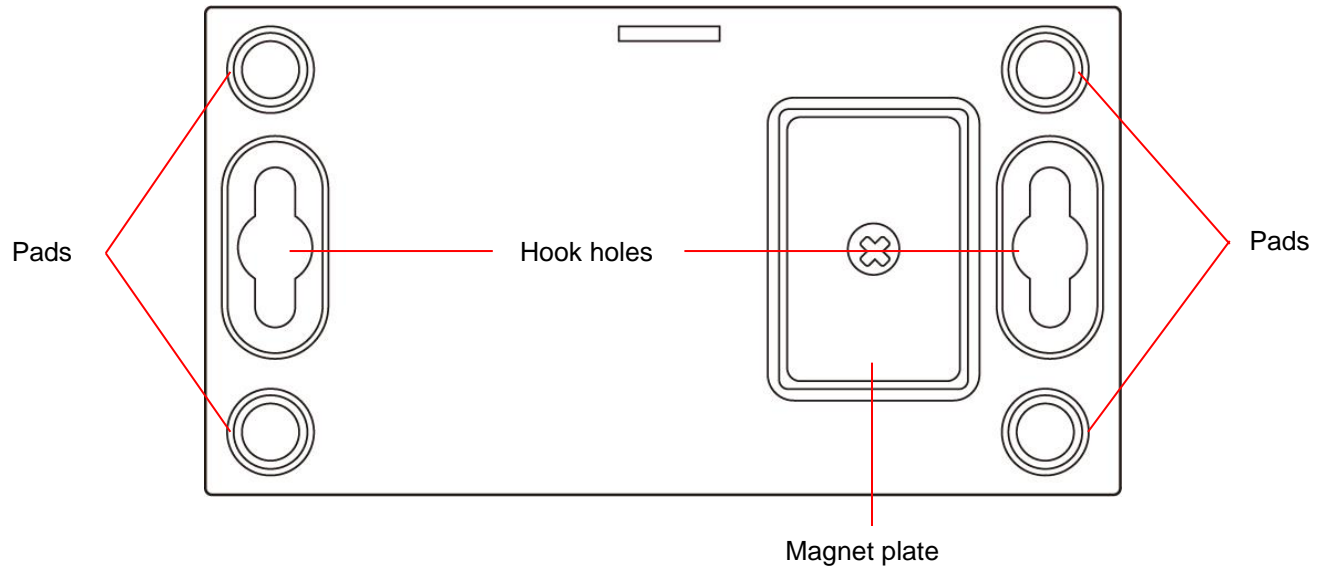
Physical Diagram
USB-DS22H
Upper



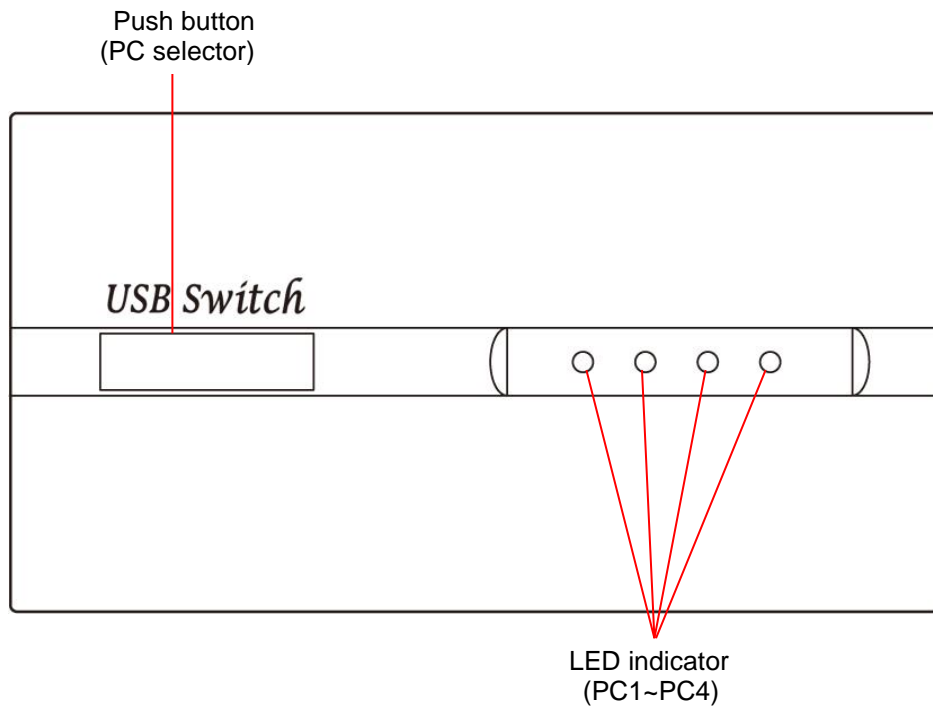
Front



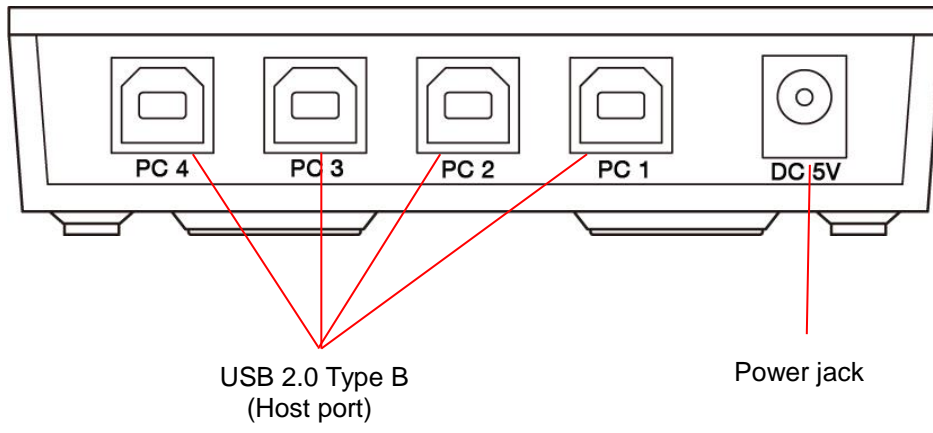
Bottom



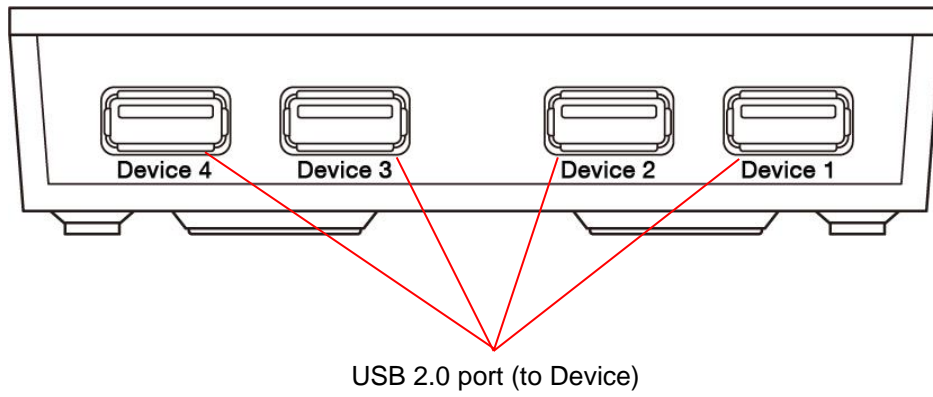
USB-DS44H
Upper

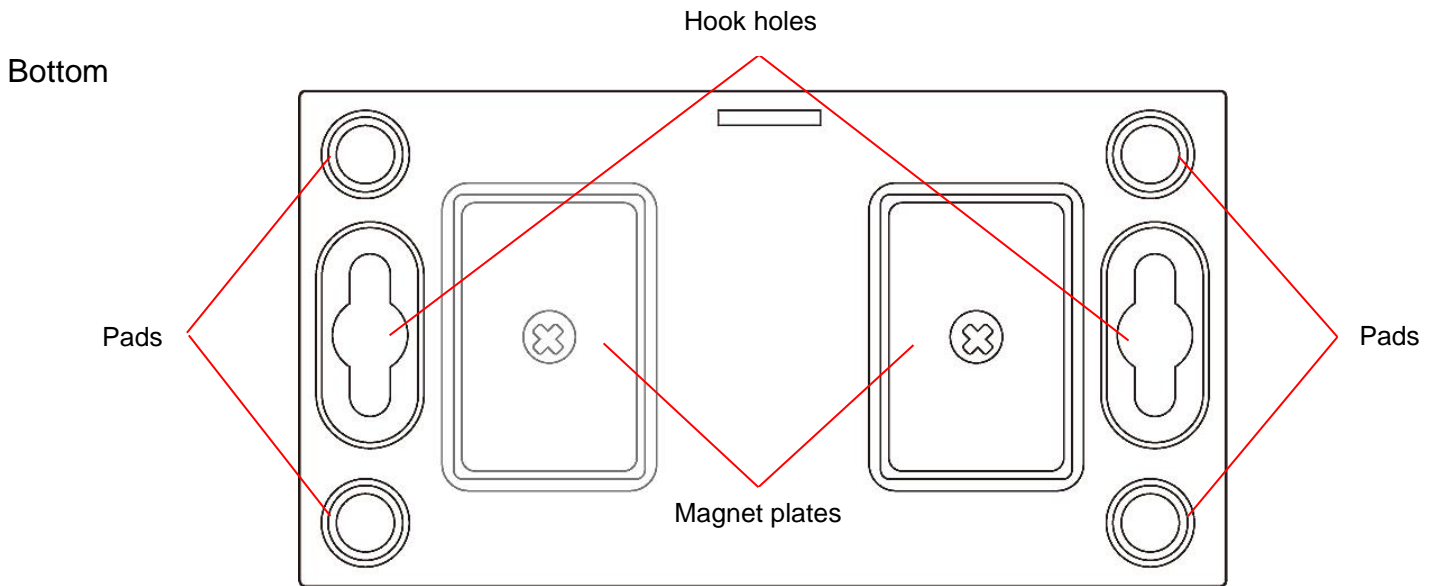


Front



Rear





Installation

- Install the necessary drivers for the peripheral device on each computer it will be shared between
- **Turn Off** all the computers & peripheral device you intent to connect together via the switch before continuing with the installation.
- Connect the USB 2.0 Data Switch to your peripheral device and computers with suitable USB 2.0 cables. (Sold separately)
- Power on your computers and the peripheral device
- Your peripheral device will now be ready to switch between computers

NOTE: If you want to share multiple USB peripheral devices between computers connect a USB Hub to the USB Switch, connecting the peripheral devices to the hub. (As with any peripheral device connected to the Switch, install the necessary drivers on the connected computers before use.).

Operation

- The LED on the USB 2.0 Data Switch will indicate which computer is currently accessing the peripheral devices
- To switch peripheral devices between computers simply press the push button to switch to on the USB 2.0 Data Switch
- The working memory (last channel setting) won't be terminated no matter the unit shutdown and restarted. (Default setting is switched to PC1 after powered on the unit; and then it will change to the last channel setting after restarting the unit.)

Troubleshooting

- The maximum cable length between the Data Switch & peripheral devices or the Data Switch and a computer is 2 meters. Do Not switch to a computer that is in the process of booting
- Computers must be "awake" before it is possible to switch to them. Before switching ensure that the attached USB device is not in use – read/writing discs, printing etc

Regulatory Compliance

Disclaimer

Information in this document is subject to change without notice. The manufacturer does not make any representations or warranties (implied or otherwise) regarding the accuracy and completeness of this document and shall in no event be liable for any loss of profit or any other commercial damage, including but not limited to special, incidental, consequential, or other damages.

No part of this document may be reproduced or transmitted in any form by any means, electronic or mechanical, including photocopying, recording or information recording and retrieval systems without the express written permission of the manufacturer.

All brand names and product names used in this document are trademarks, or registered trademarks of their respective holders.

CE Certification

This equipment complies with the requirements relating to electromagnetic compatibility.

It has been manufactured under the scope of RoHS compliance.

FCC Compliance Statement

This equipment generates and uses radio frequency and may cause interference to radio and television reception if not installed and used properly. This equipment has been tested and found to comply with the limits of a Class B digital device, pursuant to part 15 of the FCC Rules. These limits are designed to provide reasonable protection against harmful interference in a residential installation.

You are cautioned that changes or modification not expressly approved by the party responsible for compliance could void your authority to operate the equipment.

This device complies with part 15 of the FCC Rules. Operation is subject to the following two conditions:

- (1) This device may not cause harmful interference, and
- (2) This device must accept any interference received, including interference that may cause undesired operation



WEEE (Waste of Electrical and Electronic Equipment),
Recycling of Electronic Products

In 2006 the European Union introduced regulations (WEEE) for the collection and recycling of all waste electrical and electronic equipment. It is no longer allowable to simply throw away electrical and electronic equipment. Instead, these products must enter the recycling process.

Each individual EU member state has implemented the WEEE regulations into national law in slightly different ways. Please follow your national law when you want to dispose of any electrical or electronic products. More details can be obtained from your national WEEE recycling agency.